

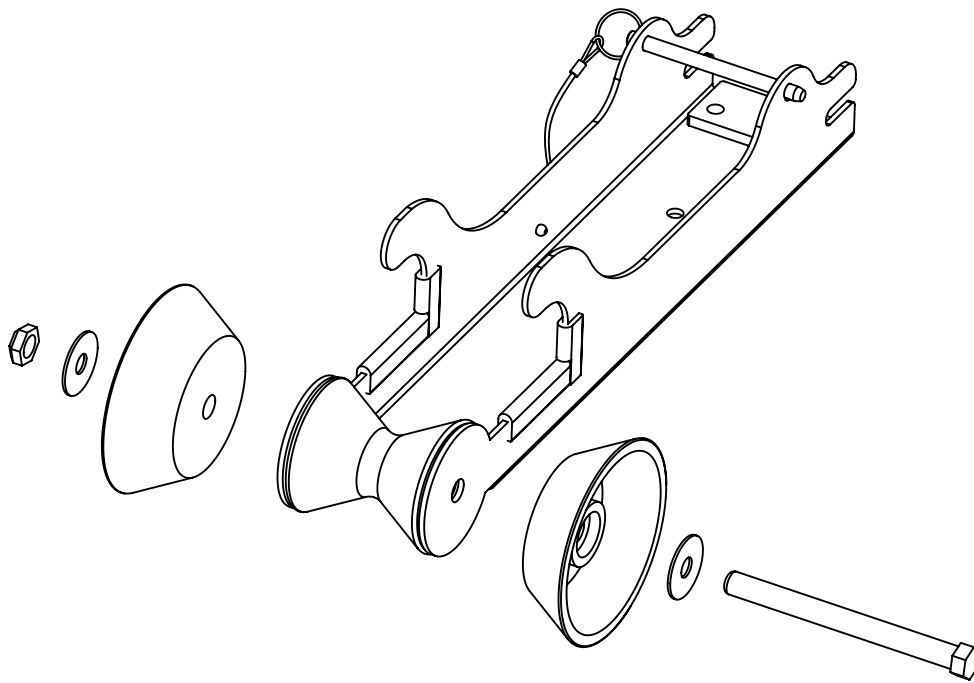
anchor-caddie

The Ultimate Bow Roller

Thank you and congratulations on your purchase of the Anchor Caddie bow roller. We hope you will enjoy a lifetime of pleasure in assisting you with your boating adventures.

Assemble the roller assembly as shown in the illustration below. Do not over tighten the lock nut.

You want to have all rollers free spinning to ensure minimum drag on your Anchor Caddie bow roller.



If you have any questions or need assistance with your Anchor Caddie bow roller, don't hesitate to contact us at www.anchor-caddie.com.

anchor-caddie

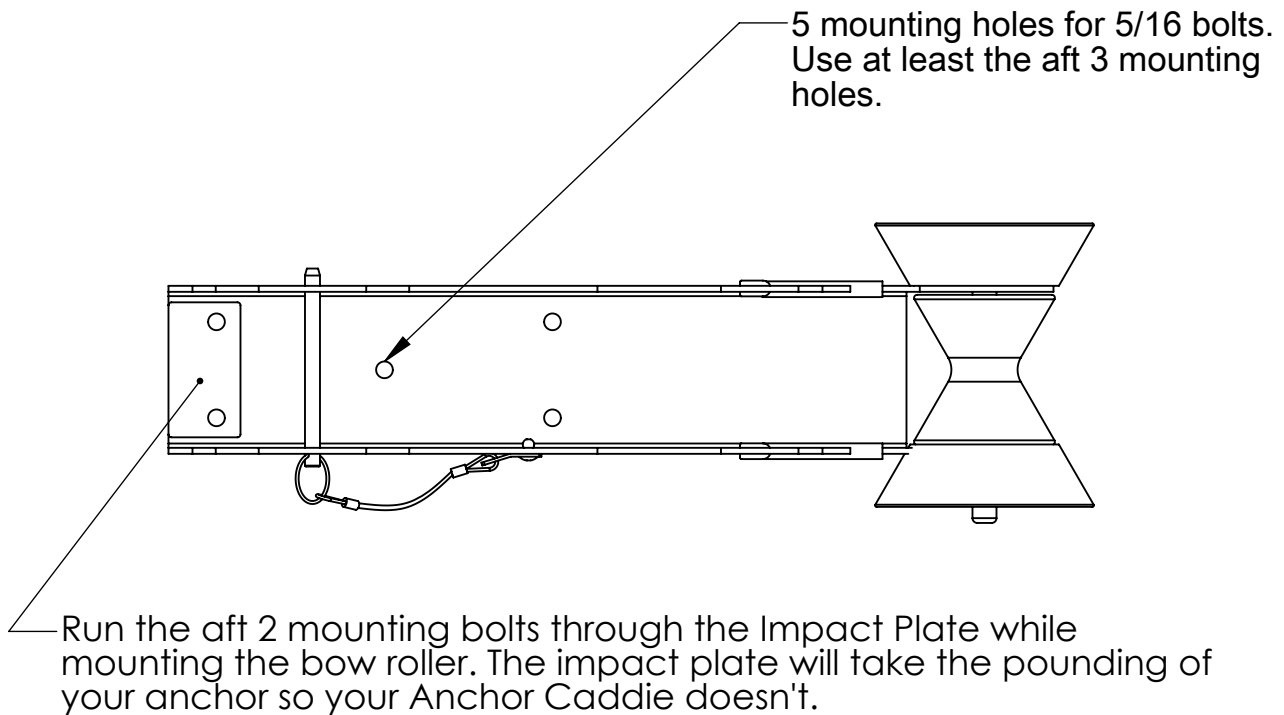
The Ultimate Bow Roller

To mount your Anchor Caddie bow roller to your boat, you will need to drill at least 3 holes to accommodate a 5/16" bolt.

It is recommended that you use all stainless steel hardware, however you can use zinc plated as well.

Use a nylon locknut and backing plate or large fender washers on the underside to ensure proper load distribution, especially if you are securing it to the bow of a fiberglass boat

Before you drill any holes in your boat, place the bow roller with the anchor in it and set it on your bow. You will want to make sure that when you are pulling the anchor, as well as when stowed, it does not hit the bow of your boat.



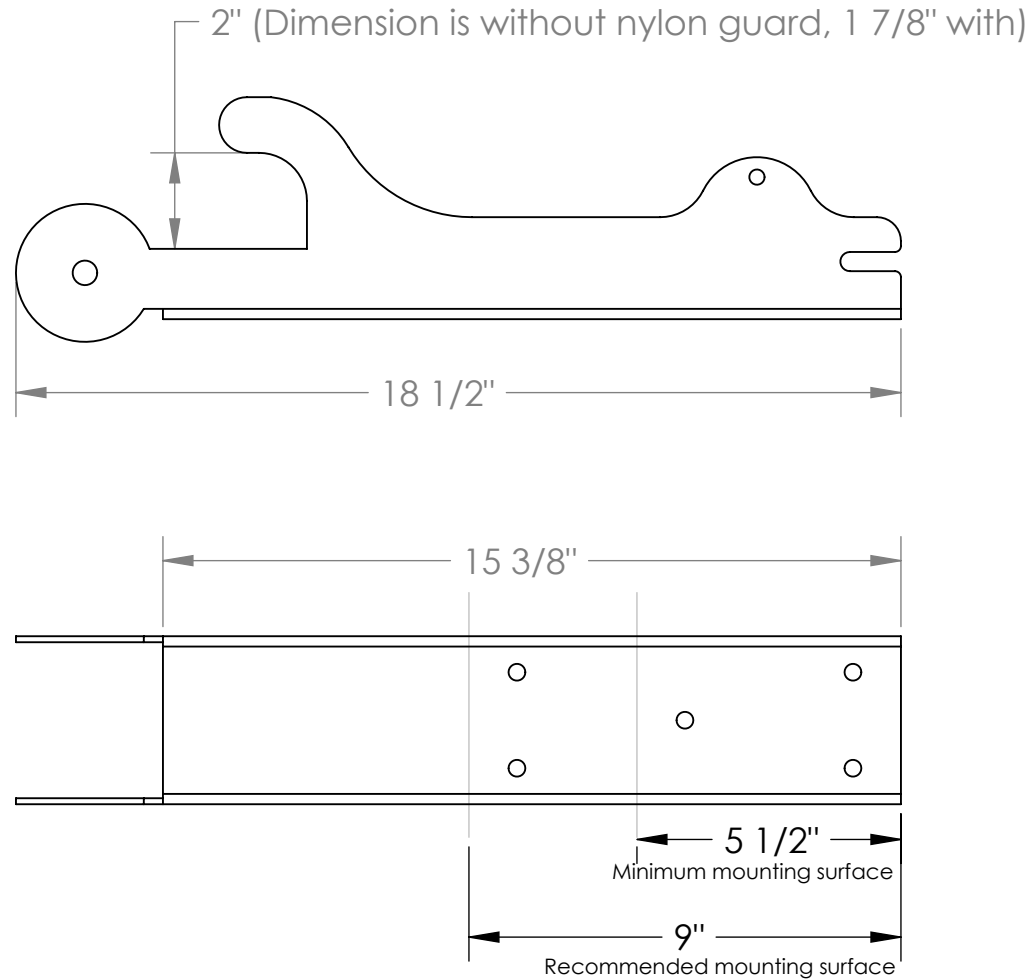
If your Anchor Caddie, didn't come with one, email a copy of your receipt with your address and we will ship one out to you at no cost.

If you have any questions or need assistance with your Anchor Caddie bow roller, don't hesitate to contact us at www.anchor-caddie.com.

anchor-caddie

The Ultimate Bow Roller

Mounting and overall dimensions



If you have any questions or need assistance with your Anchor Caddie bow roller, don't hesitate to contact us at www.anchor-caddie.com.